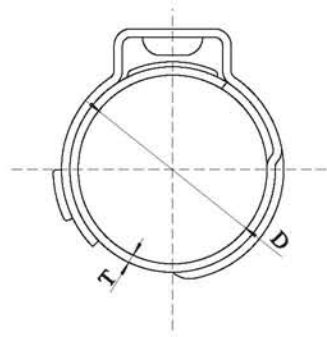




## PEX Series Stepless Ear Clamps



### Features

- Narrow band: concentrates transmission of clamping force, less weight
- Stepless over 360°: uniform compression or uniform surface pressure
- Clamp ear: compensates for component tolerance, adjustable surface pressure
- Dimple: increases clamping force, spring-effect compensates for changes in diameter due to thermal expansion
- Specially formed strip edges: reduced risk of damage to parts being clamped

### Material

- 304 Stainless Steel
- Standard ASTM F2098-2001

### Note

PEX series Stepless Ear Clamps are only well suited to PEX tubing.

Item	PEX Size	W		T		D		Range (Closed-Open)		Closing Force N	Carton Quantity pcs
		inch	mm	inch	mm	inch	mm	inch	mm		
P3/8	3/8	7.0	.276	0.6	.024	13.3	.524	10.8-13.3	.425-.524	2100	5000
P1/2	1/2	7.0	.276	0.8	.031	17.5	.689	15.0-17.5	.591-.689	2800	5000
P3/4	3/4	9.0	.354	0.8	.031	23.3	.917	20.1-23.3	.791-.917	4100	5000
P1.0	1.0	10.0	.394	1.0	.039	29.6	1.165	26.4-29.6	1.040-1.165	7000	5000

